

Important Router Information

Dear Valued Customer:

This packet includes **important information about your equipment** which should be reviewed by you prior to speaking with our Installations Group.

It is not a replacement for our Technical Support but is designed to help us help you get your internet connection up and running as quickly as possible.

Our Installations Group will work with you via one hour appointments. **Please review this packet and follow the setup flowchart prior to your initial appointment with your Installations Representative**

Thank you very much and welcome to the Internet.

Technical Support: (888) 774-4206

Enclosed are the following documents regarding your Internet equipment:

- **Router Setup Flowchart**
- **Connectivity Flowchart**
- **Configuration Print Out**
- **Configuration Instructions**

Additional documents for Leased Line Customers:

- **Important Circuit Information**

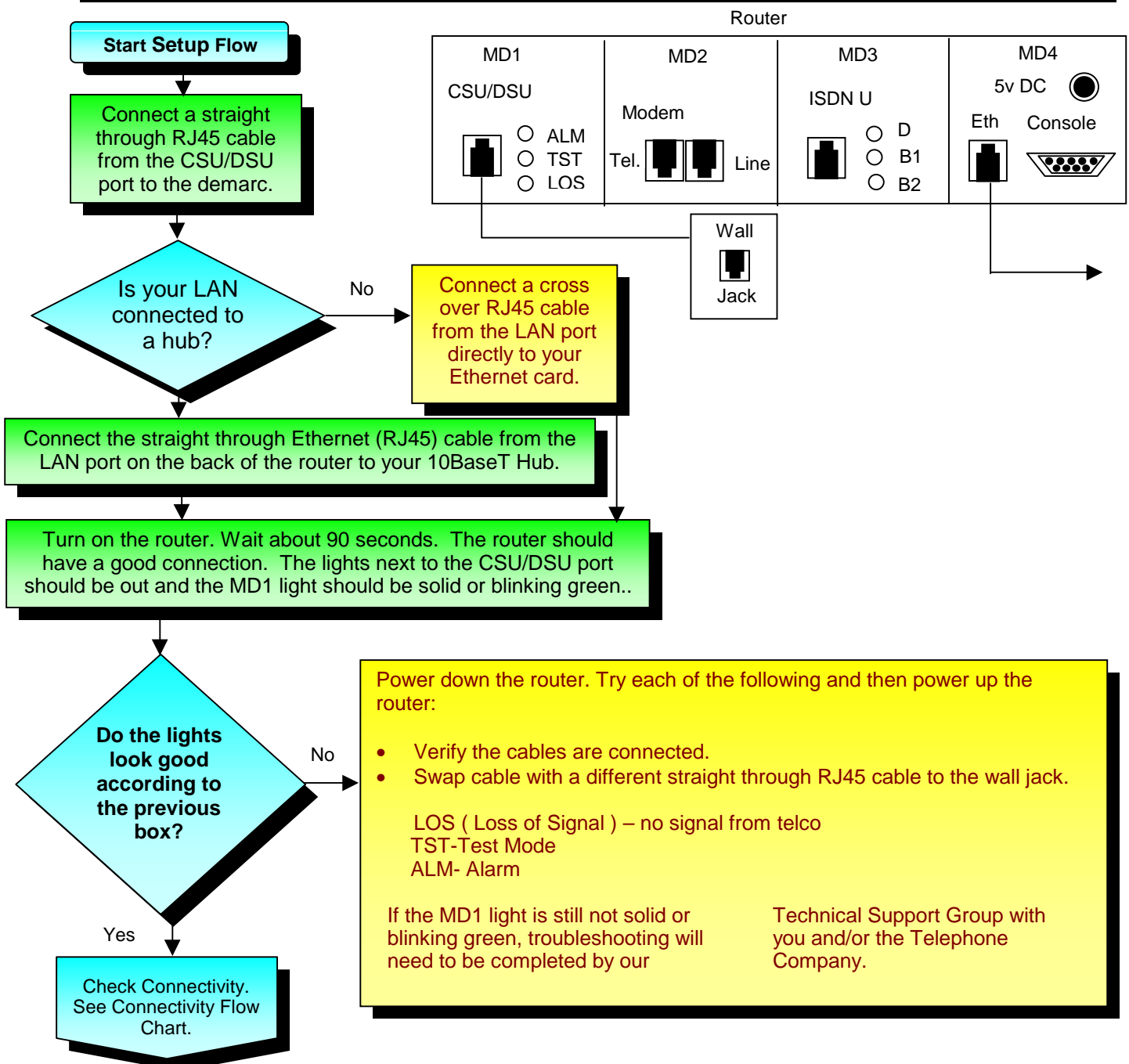
Setup: OpenROUTE GTX1000 – Leased Line

Instructions for connecting your OpenROUTE GTX1000 Router:

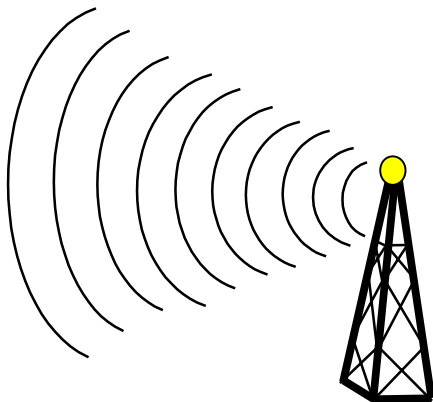
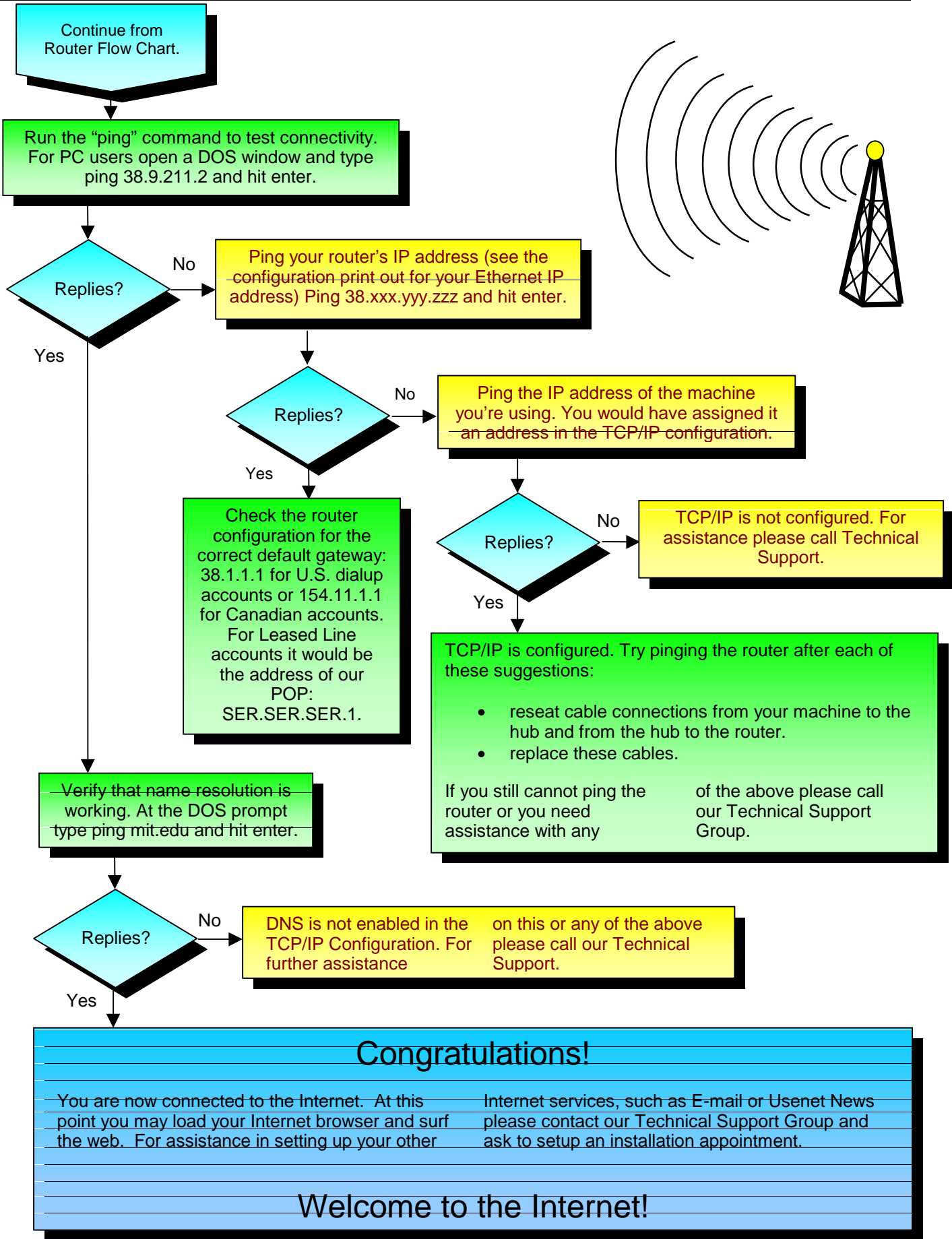
Prerequisites: Please run through the following flowchart to connect your equipment prior to scheduling your initial appointment with our Installations Group.

- Local Area Network (LAN) already setup
- TCP/IP configured on the individual workstations
- Circuit installed and tested - you will receive a message from us asking you to call for your installation appointment. Equipment should not be connected until this message is received.

Your router has been shipped to you preconfigured. Please check the configuration print out to verify that your Serial IP address and the DLCI number for your connection has been included. Also, when the connection is up and running, don't forget to change the router password.



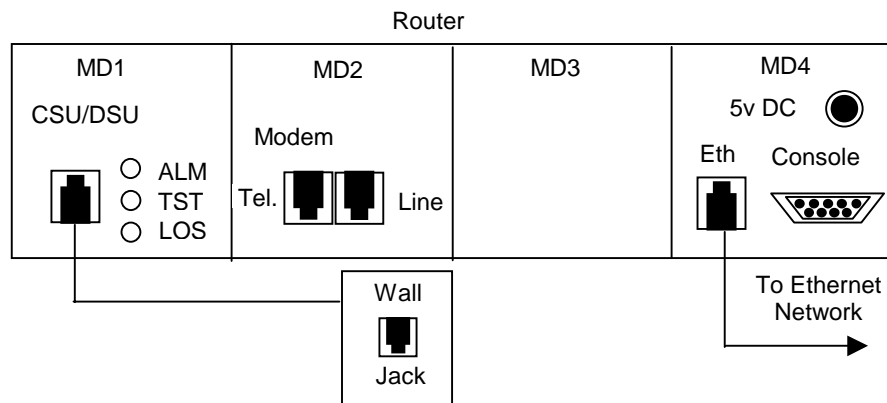
Connectivity:



Configuring the OpenROUTE GTX1000-56k-Analog Dial Backup

If you received the router from us it should be preconfigured. You can telnet into the box using the default account of admin with the password of letmein.

If not preconfigured you can connect a console to the console port of the router. A null modem adapter is provided. Connect the Null Modem to the console cable provided and then to the serial port of a PC (or Mac with proper cables) with VT100 emulation software set to 9600, 8, none 1. If the router has not been preconfigured, it will run through an interactive script upon bootup. **NOTE: Connect the console port prior to powering up the router, otherwise the router will not see that the console port is available for use.**



Interface Configuration

Type 'Yes' to Configure Interfaces
Type 'No' to skip Interface Configuration
Type 'Quit' to exit Quick Config

Configure Interfaces? (Yes, No, Quit): [Yes] <enter>
Type 'r' any time at this level to restart Interface Configuration

Interface 0 is Ethernet

Configure this interface ? (Yes, No): [Yes] <enter>

Ethernet interface auto-configured

Interface 1 is WAN PPP

Configure this interface ? (Yes, No): [Yes] <enter>
Data-link protocol (Point to Point, Frame Relay): [Point to Point] **Frame Relay**
Enable LAN emulation (Yes, No): [No] <enter>
Enter circuit number (16 - 1007): [16] **DLCI**
Enter circuit name (1-23 characters): [] **Internet**
Enter Committed Information Rate (CIR) in bps (300 - 2048000): [64000] **56000**
Enter Committed Burst Size (Bc) in bits (300 - 2048000): [64000] **56000**
Enter Excess Burst Size (Be) in bits (0 - 2048000): [0] <enter>
Provider line configuration (56K-PRIMARY, 64K-CLEAR-CHANNEL): [56K-PRIMARY] <enter>

Configuring the OpenROUTE GTX1000-56k-Analog Dial Backup (cont'd)

Interface 2 is Async PPP

```
Configure this interface ? (Yes, No): [Yes] <enter>
Enter modem name or "?" for list (1-23 characters): [] INFRXXXX (Your account ID)
Enter initialization commands (0-40 characters): [ATEOM0S0=1\r]
Enter remote destination's name (1-23 characters): [] Internet
Enter remote destination's telephone number (1-31 characters): [] (POP Phone Number)
Place outbound calls (Yes, No): [Yes] <enter>
Accept inbound calls (Yes, No): [Yes] no
Internal clock speed (decimal) (1200, 2400, 4800, 9600, 19200, 38400, 57600, 115
200): [57600] <enter>
```

```
Setup CHAP authentication? (Yes, No): [No] <enter>
```

```
Setup PAP authentication? (Yes, No): [No] y
Enable PAP authentication (Disable, Enable): [Disable] enable
```

```
Local router name (Host, Local): [Host] <enter>
Using Host name: INFRXXXX
Local Password: [] [Enter Password Here]
Remote router name: [] Internet
Remote Password: [] [Enter Password Here]
```

This is all configured device information:

```
Interface 0 is Ethernet, connector (10baseT UTP) auto-configured
Interface 1 is WAN with Frame Relay encapsulation, connector auto-configured
LAN Emulation:           Disabled
Circuit name:            Internet
Circuit number:          DLCI
Committed Information Rate: 56000
Committed Burst Size:    56000
Excess Burst Size:       0
Interface 2 is WAN with Point to Point encapsulation, connector auto-configured,
```

```
internal clock speed 57600 bits/second
Modem name:              INFRXXXX
Modem type:              CONFIGURABLE
Initialization commands: ATEOM0S0=1\r
Remote destination name: Internet
Remote telephone number: 9999999
Outbound Calls:         Enabled
Inbound Calls:          Disabled
```

PAP options

```
-----
Local router name: INFRXXXX
Enable PAP authentication: Enabled
```

Configuring the OpenROUTE GTX1000-56k-Analog Dial Backup (cont'd)

```
Router          Password
-----
INFRXXXX        [Enter Password Here]
Internet        [Enter Password Here]
```

Save this configuration? (Yes, No): [Yes] <enter>

Interface configuration saved

```
*****
Bridging Configuration
*****
```

Type 'Yes' to Configure Bridging
Type 'No' to skip Bridging Configuration
Type 'Quit' to exit Quick Config

Configure Bridging? (Yes, No, Quit): [Yes] no

```
*****
Protocol Configuration
*****
```

Type 'Yes' to Configure Protocols
Type 'No' to skip Protocol Configuration
Type 'Quit' to exit Quick Config

Configure Protocols? (Yes, No, Quit): [Yes] <enter>
Type 'r' any time at this level to restart Protocol Configuration

Configure IP? (Yes, No): [Yes] <enter>
Type 'r' any time at this level to restart IP Configuration

IP Configuration is already present
Configure IP anyway? (Yes, No): [No] yes
Configuring Per-Interface IP Information

Configuring Interface 0 (Ethernet)
Enable IP on this interface? (Yes, No): [Yes] <enter>
Use Dynamic IP Address Assignment via DHCP? (Yes, No): [Yes] no
IP Address: [192.168.1.1] LAN.LAN.LAN.1
Address Mask: [255.0.0.0] 255.255.255.0

Configuring Interface 1 (WAN Frame Relay)
Enable IP on this interface? (Yes, No): [Yes] <enter>
IP Address: [] SER.SER.SER.SER
Address Mask: [255.0.0.0] 255.255.255.0

Configuring Interface 2 (Async PPP)
Enable IP on this interface? (Yes, No): [Yes] <enter>
Use Unnumbered IP Addressing? (Yes, No): [Yes] <enter>
Use Dynamic IP Address Assignment? (Yes, No): [No] <enter>

Configuring the OpenROUTE GTX1000-56k-Analog Dial Backup (cont'd)

Per-Interface IP Configuration complete

Configuring IP Routing Information

Enable Dynamic Routing via RIP or OSPF? (Yes, No): [No] <enter>

Only Static Routing Enabled

Specify a Default Route? (Yes, No): [Yes] <enter>

Specify default route via an Unnumbered or Address Assigned Interface?
(Yes, No): [Yes] no

Default Route Gateway IP Address?: [0.0.0.0] SER.SER.SER.1

Routing Configuration Complete

SNMP will be configured with the following parameters:

Community: public
Access: READ-ONLY

This is the information you have entered:

Interface #	IP Address	Address Mask
0	LAN.LAN.LAN.1	255.255.255.0
1	SER.SER.SER.SER	255.255.255.0
2	Unnumbered	

Only STATIC Routing present

Default route is via gateway at SER.SER.SER.1

All other IP configuration will be reset to default values

Save this configuration? (Yes, No): [Yes] <enter>

IP configuration saved

Configure IPX? (Yes, No): [Yes] no

Booting Configuration

Type 'Yes' to Configure Booting

Type 'No' to skip Booting Configuration

Type 'Quit' to exit Quick Config

Configure Booting? (Yes, No, Quit): [Yes] <enter>

Type 'r' any time at this level to restart Booting Configuration

Configuring the OpenROUTE GTX1000-56k-Analog Dial Backup (cont'd)

Previous Boot information

Booting Method: IBD Boot
IBD Load Name: gtx1000.ldc

Create an IBD boot record using this information? (Yes, No): [Yes] <enter>

Boot configuration saved
Enable Console Modem-Control? (Yes, No, Quit): [No] <enter>

Quick Config Done
Restart the router for this configuration to take effect

Restart the router? (Yes, No): [Yes] <enter>

RESTARTING THE ROUTER.....

After the reboot, simply add the Internet default username and password.

MOS Operator Control

*TALK 6

Gateway user configuration

Config>>ADD USER admin

Enter authentication type: (N)one, (P)assword, (C)hallenge, or (Q)uit [C]? p

Enter password: letmein

Enter password again: letmein

Enter permission: (A)dmin, (O)perations, (M)onitor, or (Q)uit [A]? <enter>

User 'admin' has been added

Do you want to add Technical Support access? (Y)es, (N)o, or (Q)uit [Y]? no

Config>>PROTOCOL ip

Internet protocol user configuration

IP config>DISABLE DIRECTED-BROADCAST

IP address (CR for all)? <enter>

IP config>ADD ROUTE

IP destination [0.0.0.0]? 0.0.0.0

Address mask [0.0.0.0]? 0.0.0.0

Via gateway at [0.0.0.0]? 0.0.0.2

Cost [1]? 5

IP config>exit

Configuring the OpenROUTE GTX1000-56k-Analog Dial Backup (cont'd)

```
config>FEATURE wrp
```

```
WAN Reroute user configuration
```

```
WRR config>ADD ALTERNATE-CIRCUIT
```

```
Alternate interface number [0]? 2
```

```
Primary interface number [0]? 1
```

```
WRR config>ENABLE ALTERNATE-CIRCUIT
```

```
Alternate interface number [0]? 2
```

```
WRR config>ENABLE wrp
```

```
WRR config>exit
```

```
config>
```

```
* restart
```

```
Are you sure you want to restart the gateway? (Yes or [No]): yes
```

```
LAN.LAN.LAN.1      = Ethernet address of Customer Router
```

```
LAN.LAN.LAN        = Customer Network Number
```

```
SER.SER.SER.SER    = Serial address of Customer Router
```

```
SER.SER.SER.1      = Address of POP Router
```

```
DLCI                = Customer DLCI
```

Important Circuit Information

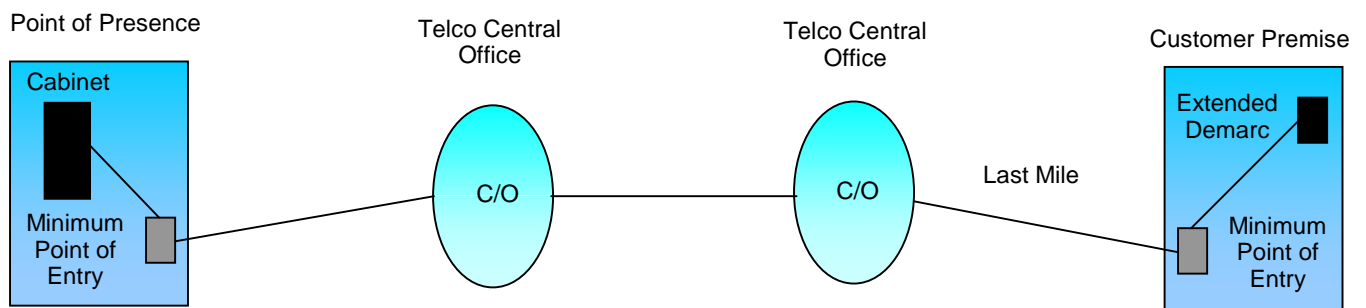
This document is designed to give you a general idea of what is involved in building a circuit for your Internet use.

You will be receiving weekly status updates which include the following dates concerning your Leased Line Circuit:

- Date the circuit was ordered by us.
- Estimated date of circuit installation (unconfirmed)
- Scheduled date of circuit installation (if provided by the telco)
- Date circuit turn up was accepted by our Network Operations Group

Once the circuit has been accepted by NOPs you will receive an “available” message indicating that the circuit is ready and to call our Corporate Installations Group to setup your initial appointment.

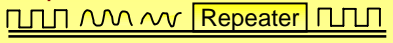
Please be aware that the circuit is not ready until you receive this message. It is often thought that when the circuit is installed at your site that all is ready to go. Sometimes it is, sometimes it is not. The following is a simple diagram of a circuit:



General Process:

1. The circuit is ordered by us with the telco. The telco “designs” the circuit from our Point of Presence (POP) to your site’s Minimum Point of Entry (MPOE).
2. The telco completes the circuit from our POP, through the Central Office(s), to your MPOE. An extended demarc needs to be run from the MPOE to your equipment room which is usually handled by the telco.
3. When the telco is done they will contact us to test the line. When test is complete and satisfactory you will be sent a message asking you to setup your initial appointment.

Some Pitfalls:

1. Due to timing, design changes may be required at one or more Telco Central Office.
2. Facilities problems occur, usually in the “Last Mile.” For example, construction requirements, repeaters required to “clean up” the signal. 
3. All looks ready to go but you still cannot get a good connection. It may be that a loop has been left at one of the Telco Central Offices not allowing the signal to reach your site. We have no way of knowing this at the time of testing but our Operations Group will work with the Telco to resolve.